



ПЧН-150-110-24 (ВПТС.426424.016)

Input voltage 110 VDC
Output voltage 24 VDC
Output power 120 W
Casing installation as part of another article

Features

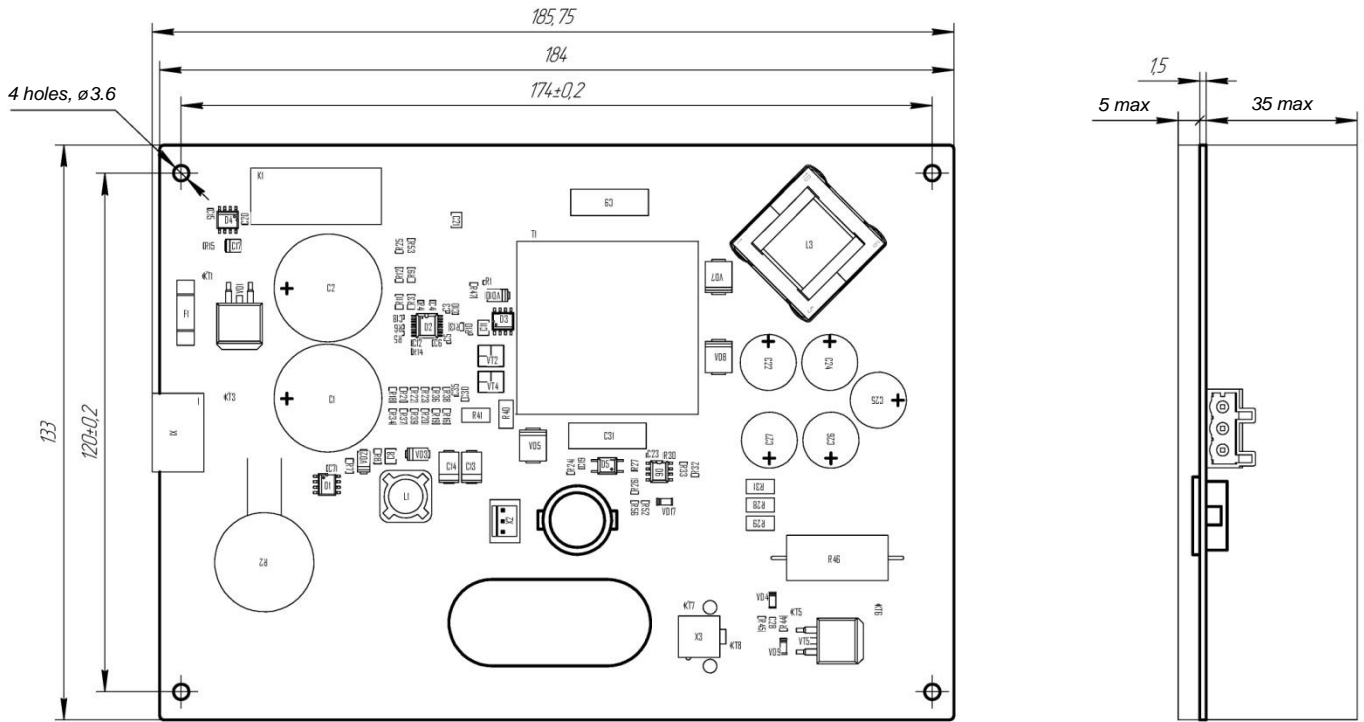
- Making of modern components
- Russian design and manufacture
- The solution has been developed on the rolling stock of Russian Railways
- Output galvanic isolation
- Output short circuit protection
- Limiting of input capacitors charge current
- Low level of generated conducted and inductive interference
- Rolling stock mechanical and climatic design
- Output side overvoltage protection

Specifications

Name	Value
DC supply voltage 110 V	77 to 144 V
DC output voltage	24±1 V
Output power	120 W
Efficiency	90% min
Rated, continuous output current	5 ± 0.5 A
Starting current	2 A, max
Auxiliary power output	13 ± 1 V, 100 mA
Short circuit protection (output current more than 5 A)	load trip
Output voltage ripple	±50 mV, max
Operating temperature	-50 °C to +50 °C
Unit weight	2 ± 0.1 kg, max
Overall dimensions (HxWxD)	41.5 x 133 x 185.75

Power connector (X1) – Molex 721-433/001-000
Load connector (X3) – Molex 03929-9046
Auxiliary output connector (X2) – Molex 22-04-1031

Outline drawing



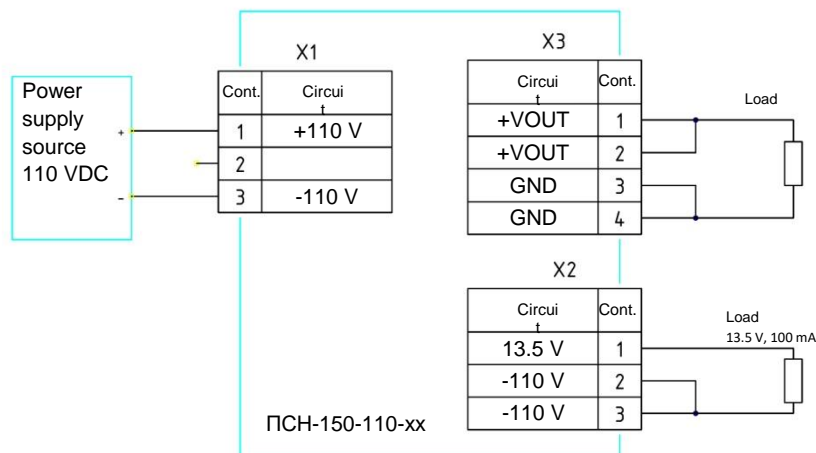
Connection Diagram

Power unit connection diagram ПЧ-150-110-xx

ПЧ-150-110-xx

Where: xx = 24 – power unit, 24 V, 4 A

xx = 15 – power unit, 15 V, 4 A



Recommended connector mating parts:

X1 - Wago 721-103/037-000

X2 - Socket Molex 51191-0300 with pins

Molex 0508028000;

X2 - Socket Molex 03901-3048 (2x2) with pins

Molex 0457503111.